

Penguin Edge™ NVME-M.2-1TB SSD Module and Hardware Kit Quick Start Guide

P/N: 6806868A01D JUNE 2022

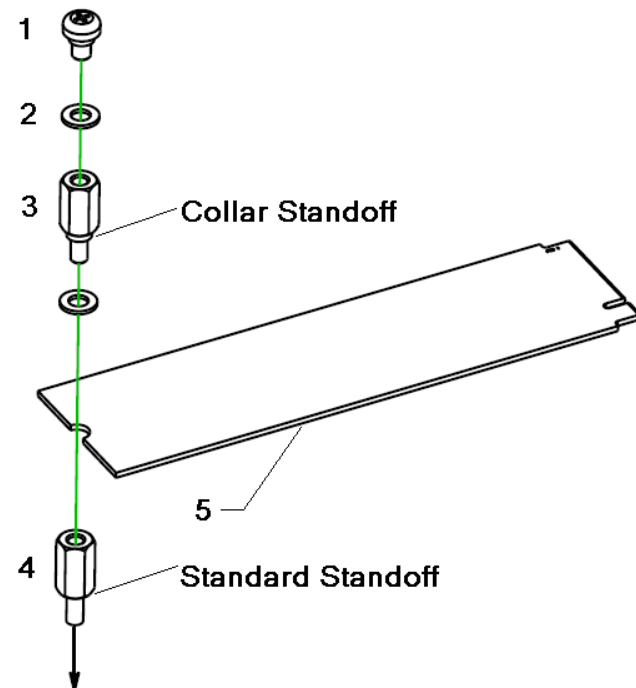
1 Box contents

Make sure you receive all items of your shipment.

The Penguin Edge™ NVME-M.2-1TB kit contains:

- 1 (1 ea.) screw, pan head M2.5 x 4mm, shoulder
- 2 (2 ea.) washers, flat, nylon 5.0mm OD, 2.7mm ID, 0.5mm THK
- 3 (1 ea.) standoff, hex, M/F, M2.5 x 5mm-M2 5x8mm, SS, collar
- 4 (1 ea.) standoff, hex, M/F, M2.5 x 5mm-M2 5x8mm, SS
- 5 (1 ea.) M.2 SSD 80mm module

One printed copy of *Quick Start Guide* (this document)
Any optional items ordered.



PENGUIN
SOLUTIONS



When installing or servicing the system or accessories, strictly observe the safety precautions in the *Safety Notes Summary*. Ignoring these instructions can void the system warranty and cause personal injury or property damage.

2 ESD

Use ESD protection Electrostatic discharge and incorrect installation or removal of the card can damage circuit or shorten its life.



Use a properly grounded ESD wrist strap or work in an ESD-safe environment.

Connect to the ESD connector at the front or the rear of the system.

3 Site preparation

Prior to installation, prepare your site. For information on the environmental requirements refer to the *Penguin Edge™ ATCA-7540 Series Installation and Use* manual.

Operating temperature is the temperature of the air circulating around the blade, not the actual component temperature.

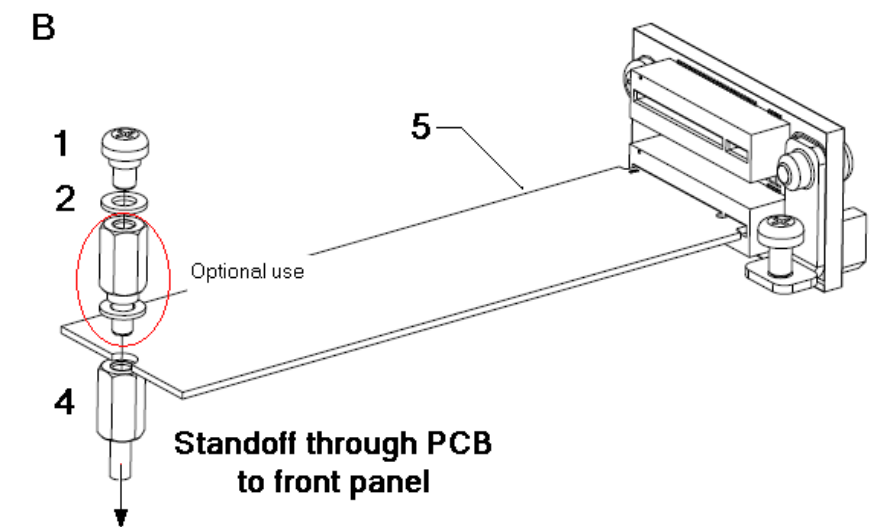
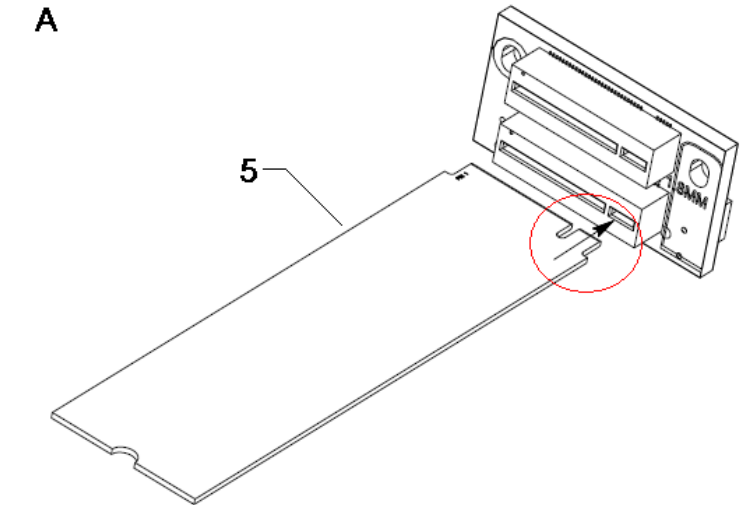
4 Install the SSD module

- If you are installing one SSD module in a bottom slot of an M.2 kit assembly, this installation requires only one standoff (4), one washer (2), and one screw (1).
- If you are installing one SSD module in the top slot (bottom slot occupied) of an M.2 kit assembly, all parts are used.
- You need a #1 Phillips head screw driver and a 4.50 hex socket driver.

Note: You may have parts left over depending on your installation.

To install the SSD module in the bottom slot of the M.2 on-board connector, follow these steps:

- 1 Remove the blade from the system.
- 2 Insert the standard standoff (4) into the PCB and front panel using the hex driver and torque to 0.03 N-m.
- 3 Locate the M.2 on-board connector and insert the SSD module (5) into the bottom slot by aligning the notch on the SSD with the small slot on the M.2 board. Refer to diagram A.



4. Insert the washer (2) and screw (1) into the standoff using the Phillips head screwdriver and torque to 0.1 N-m.
Note: The #3 collar standoff and extra #2 washer may optionally be installed to add future SSD modules.
5. Reserve any remaining parts for future use.

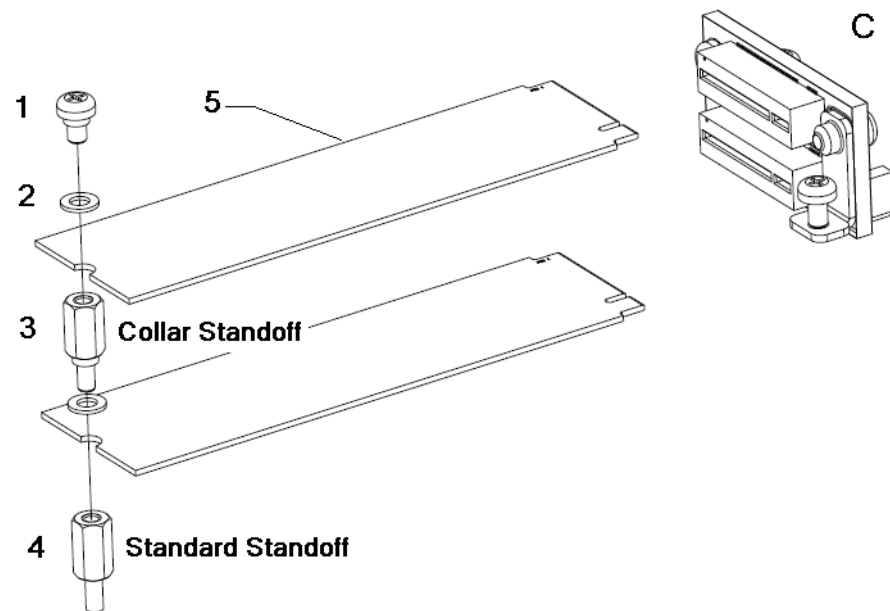
Refer to the back page for steps to install a SSD module in the top slot of the M.2



Penguin Edge™ NVME-M.2-1TB Quick Start Guide

If you are installing a second SSD into the top slot of the M.2 on-board connector:

- Secure the lower SSD module to the PCB using the parts shown in diagram **C**, in this order:
 - Washer
 - Standoff (collar)
- Insert the SSD module (5) into the top slot by aligning the notch on the SSD with the small slot on the M.2 board, as shown in diagram **A**.
- Secure the SSD module to the PCB using the parts shown in diagram **C**, in this order:
 - Washer
 - Screw



Note: The collar standoff (3) sits between the top and bottom SSD modules.

- Use the tools and torque recommendations in [Step 2.](#) and [Step 4.](#)
- Reinstall the blade into the system.



Technical Assistance

For technical assistance or to report product damage or shortages, contact your local Penguin Solutions sales representative or visit <https://www.penguinsolutions.com/edge/support/>.

Get More Information

Visit our web site for the latest versions of Penguin Edge™ technical documentation: <https://www.penguinsolutions.com/edge/support/>.



Penguin Solutions is a trade name used by SMART Embedded Computing, Inc., a wholly owned subsidiary of SMART Global Holdings, Inc. Penguin Edge is a trademark owned by Penguin Computing, Inc., a wholly owned subsidiary of SMART Global Holdings, Inc. All other logos, trade names, and trademarks are the property of their respective owners. These materials are provided as a service to our customers and may be used for informational purposes only. For full legal terms and conditions, please visit www.penguinsolutions.com/edge/legal/.
©2022 SMART Embedded Computing, Inc.