

- ▶ 2eSST VMEbus protocol with 320MB/s transfer rate across the VMEbus
- ▶ MPC7457 PowerPC<sup>®</sup> processor running at up to 1.267GHz
- ▶ 128-bit AltiVec coprocessor for parallel processing, ideal for data-intensive applications
- ▶ Up to 2GB of on-board DDR ECC memory and 128MB of flash memory for demanding applications
- ▶ Two 33/66/100MHz PMC-X sites allow the addition of industry standard, application specific modules
- ▶ Dual Gigabit Ethernet interfaces for high performance networking

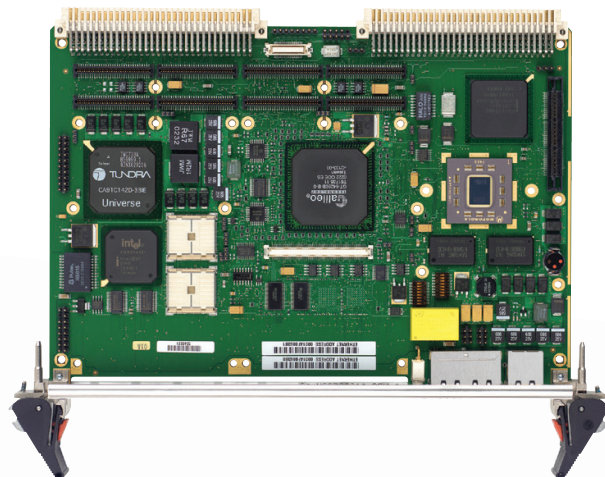
The Penguin Edge<sup>™</sup> MVME6100 combines the NXP<sup>®</sup> MPC7457 PowerPC<sup>®</sup> processor running with an AltiVec coprocessor and up to 320MB/s practical bandwidth to enable your technology refresh while maintaining backwards compatibility.

OEMs in the military and aerospace, industrial automation and medical imaging industries are upgrading to the MVME6100 series to take advantage of its enhanced performance features while protecting their investment in their existing VMEbus infrastructure

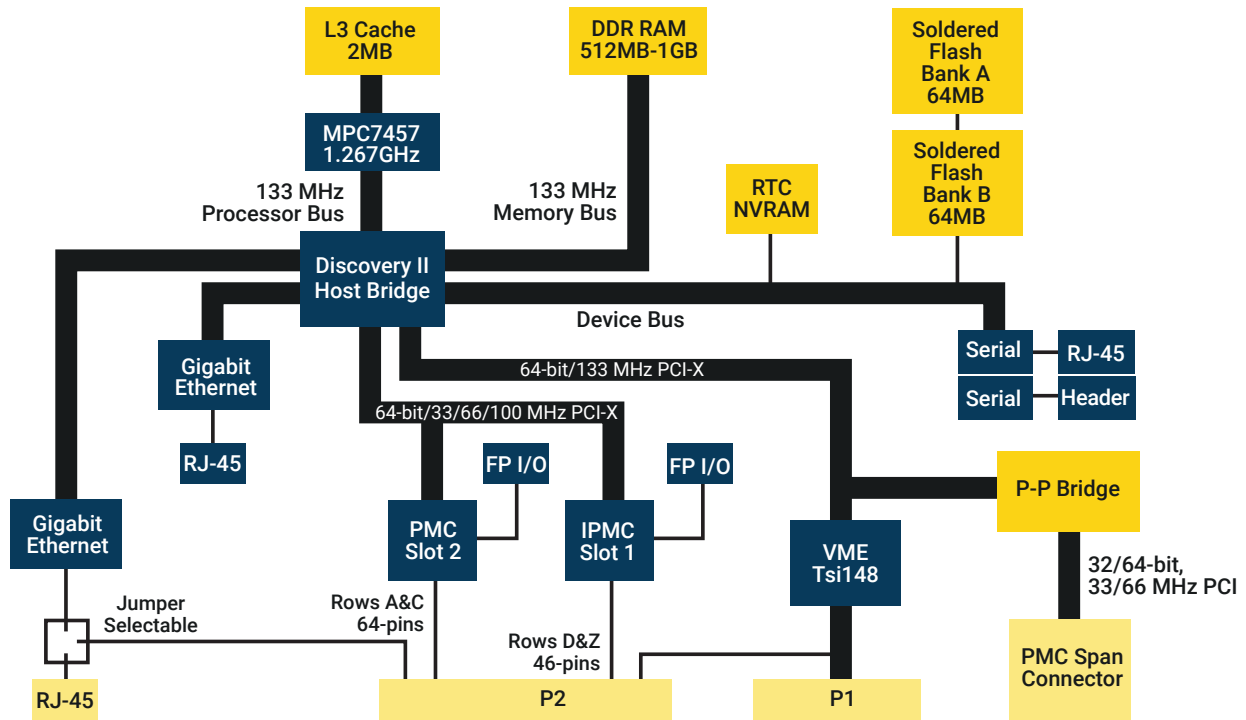
The MVME6100 series was the first VMEbus board designed with the Tundra Tsi148 VMEbus interface chip offering two edge source synchronous transfer (2eSST) VMEbus performance. The 2eSST protocol enables the VMEbus to run at a practical bandwidth of 320MB/s in most cases.

The MVME6100 series provides more than just faster VMEbus transfer rates; it provides balanced performance from the processor, memory subsystem, local buses and I/O subsystems.

The MVME6100 series supports booting a variety of operating systems including a complete range of real-time operating systems and kernels. A VxWorks board support package and Linux support are available for the MVME6100 series.



# MVME5500 Block Diagram



## Overview

### VMEbus 2eSST Performance

The 2eSST protocol has existed for some time (the draft standard for trial use was published in 1999 and released as an ANSI standard in 2003), but until now, 2eSST boards would not work in a standard VMEbus backplane because the existing VMEbus transceivers could not support the required VMEbus 2eSST signaling speeds. Texas Instruments developed new VMEbus transceivers that support the VMEbus signal switching speeds required by the 2eSST protocol. The combination of the new Texas Instruments VMEbus transceivers and the Tsi148 VMEbus legacy protocol support allows customers to integrate the MVME6100 series into their existing infrastructure providing backward compatibility and thereby preserving their investment in existing VMEbus boards, backplanes, chassis and software.

### Balanced Performance

The MVME6100 series provides more than just faster VMEbus transfer rates; it provides balanced performance from the processor, memory subsystem, local buses and I/O subsystems. The processor, running at speeds of 1.267GHz, is ideal for data-intensive applications. The state-of-the-art host

bridge, with support for a 133MHz host bus and a 133MHz DDR memory bus, is well matched to the processor. To ensure that the MVME6100 series can handle the 320MB/s data rates of 2eSST, the Tsi148 VMEbus interface chip is connected to one of the 133MHz PCI-X buses on the host bridge. The second PCI-X bus has dual PMC-X sites – each site supports PMC or PMC-X cards supporting PCI bus speeds from 33 to 100MHz. The MVME6100 also offers dual Gigabit Ethernet interfaces. All of this adds up to a set of well-balanced, high-performance subsystems for unparalleled performance.

## Application Benefits

### Defense and Aerospace

In the defense and aerospace market segment, the MVME6100 series is well suited for command and control applications that utilize commercial grade products such as naval sheltered systems, stationary ground systems, and reconnaissance aircraft systems. The MVME6100 series helps to provide more performance for these applications than previous VME solutions have been able to supply by using the 1.267GHz processor. This combined with dual PCI-X buses capable of 100MHz speed for PMC modules and an 8x increase in the

VME bandwidth eliminates many of the bottlenecks faced by command and control solutions today. These applications can now take advantage of the latest PowerPC processors in a dense computing configuration without the difficulties of trying to cool multiprocessor boards and managing I/O and VME bottlenecks. With the addition of the Penguin Edge processor PMCs (PrPMCs), additional PowerPC architecture-compatible processors can be added for a multiprocessor solution without sacrificing any of the MVME6100 series benefits.

## Industrial Automation

The MVME6100 is also ideally suited for semiconductor process equipment (SPE), automated test equipment (ATE) and a variety of other high-end industrial automation applications because of its increased bus bandwidth and faster processing speeds. The backwards compatibility of the MVME6100 series with existing VME products helps to provide OEMs a way to extend the life and capability of their current designs without sacrificing existing key hardware and software investments. The DSP-like AltiVec technology, which is incorporated into the processor, allows the MVME6100 series to be used for an assortment of vector processing applications. And with two PMC sites, the MVME6100 series can be customized.

## Medical Imaging

Medical imaging applications such as Nuclear Medicine (NM), Positron Emission Tomography (PET), Magnetic Resonance Imaging (MRI), X-Ray and Computed Tomography (CT) that entail intensive image processing, manipulation and algorithm-intensive computations can benefit from the 2eSST protocol's 8x increase in VMEbus transfer rates. With the ability of the MVME6100 series to work with existing VMEbus backplanes and boards, OEMs can increase their overall system performance while protecting their software and hardware investments. The performance of the MVME6100 series also helps OEMs to reduce the overall number of embedded cards required in a medical imaging application so that space issues become less of a factor.

## Backward Compatibility

The MVME6100 series continues the direction of providing a migration path from embedded controllers such as the MVME2300/MVME2400 and from SBCs such as the MVME2600/2700 to a single platform. The MVME6100 series,

like the MVME5100 and MVME5500 series, merged the best features of the Penguin Edge embedded controllers and SBCs enabling OEMs to support varying I/O requirements with the same base platform, simplifying part number maintenance, technical expertise requirements and sparing.

The MVME6100 series offers customers a migration path from the MVME2300, MVME2400, MVME2600, MVME2700, MVME5100 and MVME5500 boards to allow them to take advantage of features such as the MPC7457 processor, DDR memory, Gigabit Ethernet, PCI-X and 2eSST.

## PCI Expansion

The MVME6100 has a 32/64-bit, 33/66MHz PCI connection to support PCI expansion carriers such as the EC PMCspan.

## P2 I/O Modes

The MVME6100 series supports two, jumper-configurable P2 I/O modes: the PMC mode and IPMC mode. PMC mode is backwards compatible with the MVME2300/MVME2400 and MVME5100/MVME5500 in PMC mode. In PMC mode, 64 pins from PMC slot 1 and 46 pins from PMC slot 2 are available on P2 for PMC rear I/O. In IPMC mode, the MVME6100 series supports legacy MVME761 or MVME712M I/O modules (with limited PMC I/O) when an IPMC761 or IPMC712 PMC card is populated in PMC slot 1. In this configuration, PMC slot 2 contains some signals that are reserved for extended SCSI.

## Transition Modules

The MVME761 transition module provides industry standard connector access to the IEEE 1284 parallel port, a 10BaseT or 100BaseT port via an RJ-45 connector, two DB-9 connectors providing access to the asynchronous serial ports configured as EIA-574 DTE and two HD-26 connectors providing access to the sync/async serial ports. These serial ports, labeled as Serial 3 and Serial 4 on the faceplate of the MVME761, are individually user-configurable as EIA-232, DCE or DTE via the installation of Serial Interface Modules (SIMs). A P2 adapter board provides interface signals to the MVME761 transition module. Two separate P2 adapter boards are available: one for 3-row backplanes and one for 5-row backplanes. The 3-row P2 adapter board provides connection for 8-bit SCSI. A 5-row P2 adapter board supports 16-bit SCSI and PMC I/O. The MVME712M transition module provides industry standard connector access to the Centronics parallel port, a narrow SCSI port, and four

DB-25 connectors providing access to the asynchronous/ synchronous serial ports jumper configurable as EIA-232 DCE or DTE. A P2 adapter board provides interface signals to the MVME712M transition module. The 3-row P2 adapter board also provides connection for 8-bit SCSI. To gain access to the additional user-definable I/O pins provided via the 5-row VME64 extension connector, a special P2 adapter board is available. This adapter panel replaces the traditional 3-row P2 adapter board and extends its capability by providing access to the PMC I/O pins.

## Software Support

### Firmware Monitor

The MVME6100 firmware (known as MOTLoad) is resident in the MVME6100 flash and provides power-on self-test (POST), initialization and operating system booting capabilities. In addition, it provides a debugger interface similar to the time proven "bug" interface on previous Penguin Edge VMEbus boards.

### Operating Systems and Kernels

The MVME6100 series supports booting Linux operating systems. VxWorks is available from Wind River.

## Specifications

### Processor

- ▶ Microprocessor: MPC7457
- ▶ Clock Frequency: 1.267GHz
- ▶ On-chip L1 Cache (I/D): 32K/32K
- ▶ On-chip L2 Cache: 512K
- ▶ L3 Cache: 2MB

### System Controller

- ▶ Marvell MV64360
- ▶ Main Memory
- ▶ Type: Double data rate (DDR) ECC SDRAM
- ▶ Speed: DDR266 (133MHz)
- ▶ Capacity: Up to 2GB, all memory on board
- ▶ Configurations: Two banks, 512MB or 1GB configurations

### Flash Memory

- ▶ Type: EEPROM, on-board programmable
- ▶ Capacity: 128MB soldered flash in two banks of 64MB each
- ▶ Write Protection: Flash is write protectable via jumper

## NVRAM

- ▶ Capacity: 32KB (4KB available for users)
- ▶ Cell Storage Life: 50 years at 55°C
- ▶ Cell Capacity Life: 5 years at 100% duty cycle, 25°C
- ▶ Removable Battery: Yes

## Ethernet Interface

- ▶ Controller: Ethernet controller integrated into host bridge; two Gigabit Ethernet interfaces
- ▶ Interface Speed: 10/100/1000Mbps
- ▶ Connector: One routed to front panel RJ-45; one routed to front panel RJ-45 or optionally routed to P2 (10/100 routed to RJ-45 on MVME761 for IPMC mode, Gigabit routed to P2 for PMC mode)

## VMEbus Interface

- ▶ Compliance: ANSI/VITA 1-1994 VME64 (IEEE STD 1014), ANSI/VITA 1.1-1997 VME64 Extensions, VITA 1.5-199x 2eSST
- ▶ Controller: Tundra Tsi148
- ▶ DTB Master: A16, A24, A32, A64; D08-D64, SCT, BLT, MBLT, 2eVME, 2eSST
- ▶ DTB Slave: A16, A24, A32, A64; D08-D64, SCT, BLT, MBLT, 2eVME, 2eSST, UAT
- ▶ Arbiter: RR/PRI
- ▶ Interrupt Handler/Generator: IRQ 1-7/Any one of seven IRQs
- ▶ System Controller: Yes, jumperable or auto detect
- ▶ Location Monitor: Two, LMA32

## Asynchronous Serial Ports

- ▶ Controller: ST16C554DCQ64
- ▶ Number of Ports: Two, 16550 compatible
- ▶ Configuration: EIA-574 DTE
- ▶ Async Baud Rate, b/s max.: 38.4K EIA-232, 115Kbps raw
- ▶ Connector: One routed to front panel RJ-45; one on planar for development use

## Dual IEEE P1386.1 PCI Mezzanine Card Slots

- ▶ Address/Data: A32/D32/D64, PMC PN1, PN2, PN3, PN4 connectors
- ▶ PCI Bus Clock: 33MHz, 66MHz or 100MHz
- ▶ Signaling: 3.3V, 5V tolerant
- ▶ Power: +3.3V, +5V, ±12V
- ▶ Module Types: Two single-wide or one double-wide, front panel or P2 I/O, PMC and PrPMC support



## PCI Expansion Connector

- ▶ Address/Data: A32/D32/D64
- ▶ PCI Bus Clock: 33/66MHz
- ▶ Signaling: 5V
- ▶ Power: +3.3V, +5V, ±12V
- ▶ Connector: 14-pin connector located on MVME6100 planar, same location as on MVME5500 planar

## Counters/Timers

- ▶ TOD Clock Device: ST (SGS-Thompson) M4T28
- ▶ Real-Time Timers/Counters: Four, 32-bit programmable
- ▶ Watchdog Timer: Time-out generates reset

## Board Size and Weight

- ▶ Height: 233.4mm (9.2 in.)
- ▶ Depth: 160.0mm (6.3 in.)
- ▶ Front Panel Height: 261.8mm (10.3 in.)
- ▶ Width: 19.8mm (0.8 in.)
- ▶ Max. Component Height: 14.8mm (0.58 in.)
- ▶ Weight: 425 g/15 oz. (Scanbe handles); 468 g/16.5 oz. (IEEE handles)

## Power Requirements

(Not including power required by PMC or IPMC modules)

	<b>+5V ±5%</b>
MVME6100	8.4A typ., 10.2A max.
MVME6100 with MVME761	9.2A typ., 11.2A max.

## IPMC Modules

### PMC Interface

- ▶ Address/Data: A32/D32/D64, PMC PN1, PN2, PN3, PN4 connectors
- ▶ PCI Bus Clock: 33MHz
- ▶ Signaling: 5V
- ▶ Module Type: Basic, single-wide; P2 I/O

## SCSI Bus

- ▶ Controller: Symbios 53C895A
- ▶ PCI Local Bus DMA: Yes, with PCI local bus burst
- ▶ Asynchronous (8-bit mode): 5.0MB/s
- ▶ Ultra SCSI: 20.0MB/s (8-bit mode), 40.0MB/s (16-bit mode)
- ▶ Note: 16-bit SCSI operation precludes the use of some PMC slot 2 signals

## Asynchronous Serial Ports

- ▶ Controller: 16C550 UART; 85230/8536
- ▶ Number of Ports: Two (IPMC761); three (IPMC712)
- ▶ Configuration: EIA-574 DTE (IPMC761); EIA-232 (IPMC712)
- ▶ Async Baud Rate, bps max.: 38.4K EIA-232, 115Kbps raw

## Synchronous Serial Ports

- ▶ Controller: 85230/8536
- ▶ Number of Ports: Two (IPMC761); one (IPMC712)
- ▶ Configuration: IPMC761 – TTL to P2 (both ports), SIM configurable on MVME761; IPMC712 – EIA-232 to P2
- ▶ Baud Rate, bps max.: 2.5MB sync, 38.4KB async
- ▶ Oscillator Clock Rate (PCLK): 10MHz/5MHz

## Parallel Port

- ▶ Controller: PC97307
- ▶ Configuration: 8-bit bi-directional, full IEEE 1284 support; Centronics compatible (minus EPP and ECP on MVME712M)
- ▶ Modes: Master only

## Power Requirements

(Not including power required by PMC or IPMC modules)

	<b>IPMC761</b>	<b>IPMC712</b>
+5V	0.5A max.	0.5A max.
+3.3V	0.75A max.	

## Transition Modules

### New Part Number

	MVME761	MVME712M
Asynchronous Serial Ports	Two, DB-9 labeled as COM1 and COM2	1GHz MPC7457 PowerPC processor, 512MB SDRAM, IEEE handles 6E
Synchronous Serial Ports	Two, HD-26 labeled as Serial 3 and Serial 4 (user-configurable via installation of SIMs); two 60-pin connectors on MVME761 planar for installation of two SIMs	One, DB-25 labeled as Serial 4
Parallel Port	AHD-36, Centronics compatible	D-36, Centronics compatible
Ethernet	10BaseT or 100BaseT, RJ-45	D-36, Centronics compatible
SCSI	8- or 16-bit, 50- or 68-pin connector via P2 adapter	8-bit, standard SCSI D-50

## Transition Module Size

- ▶ Height: 233.4mm (9.2 in.)
- ▶ Depth: 80.0mm (3.1 in.)
- ▶ Front Panel Height: 261.8mm (10.3 in.)
- ▶ Front Panel Width: 19.8mm (0.8 in.)
- ▶ Front Panel Width: MVME712M: 39.6mm (1.6 in.)

## All Modules

### Environmental

	Operating	Non-operating
Temperature	0°C to +55°C (inlet air temp. with forced air cooling)	-40°C to +85°C
Humidity (NC)	5% to 90%	5% to 90%
Vibration		6Gs RMS, 20 - 2000Hz random

Note: Conformal coating these products may result in up to a 2°C reduction in operating temperature limits.

### Estimated MTBF

MTBF estimated per Telcordia SR-332, issue 2, ground fixed, controlled environment, unit ambient air temperature of 40°C is 573,000 hours at 60% confidence level. Contact Penguin Solutions for alternative environments or temperatures.

## Safety

All printed wiring boards (PWBs) are manufactured with a flammability rating of 94V-0 by UL recognized manufacturers.

## Electromagnetic Compatibility (EMC)

- ▶ Intended for use in systems meeting the following regulations:
  - U.S.: FCC Part 15, Subpart B, Class A (non-residential)
  - Canada: ICES-003, Class A (non-residential)
- ▶ Penguin Edge board products are tested in a representative system to the following standards:
  - CE Mark per European EMC Directive 89/336/EEC with Amendments; Emissions: EN55022 Class A; Immunity: EN55024

Ordering Information		
New Part Number	Old Part Number	Description
MVME61006E-0161R	MVME61006E-0161	1.267GHz MPC7457 processor, 512MB DDR memory, 128MB flash, Scanbe handles 6E
MVME61006E-0161R-CC	–	MPC7457 @1.3GHz, 512MB DDR, 128MB flash, Scanbe, 6E, conformal coat
MVME61006E-0163R	MVME61006E-0163	1.267GHz MPC7457 processor, 512MB DDR memory, 128MB flash, IEEE handles 6E
MVME61006E-0163R-CC	–	MPC7457 @1.3GHz, 512MB DDR, 128MB flash, IEEE, 6E, conformal coat
MVME61006E-0171R	MVME61006E-0171	1.267GHz MPC7457 processor, 1GB DDR memory, 128MB flash, Scanbe handles 6E
MVME61006E-0173R	MVME61006E-0173	1.267GHz MPC7457 processor, 1GB DDR memory, 128MB flash, IEEE handles 6E
MVME61006E-2173R	MVME61006E-2173	1.267GHz MPC7457 processor, 2GB DDR memory, 128MB flash, IEEE handles 6E
MVME61006E-0173CR	MVME61006E-0173C	1.267GHz MPC7457 processor, 1GB DDR memory, 128MB flash, IEEE handles 6E, conformal coated
Related Products		
PMCSPAN26E-002	Primary PMCspan with IEEE ejector handles 6E	
PMCSPAN26E-010	Secondary PMCspan with IEEE ejector handles 6E	
PMCSPAN16E-002	Primary PMCspan with Scanbe ejector handles 6E	
MVME7616E-011	Transition module with two DB-9 async serial port connectors, two HD-26 sync/async serial port connectors, one HD-36 parallel port connector, one RJ-45 10/100 Ethernet connector; includes 5-row DIN P2 adapter board and cable (for 16-bit SCSI); requires backplane with 5-row DIN connectors 5E	

# Contact Us

+1 602-438-5720

[info@penguinsolutions.com](mailto:info@penguinsolutions.com)

[www.penguinsolutions.com/edge/](http://www.penguinsolutions.com/edge/)

## About Penguin Solutions

Penguin Solutions accelerates customers' digital transformation with the power of emerging technologies in HPC, AI, and IoT with solutions and services that span the continuum of edge, core, and cloud. The company designs highly advanced infrastructure, machines and networked systems that enable the world's most innovative enterprises and government institutions to build the autonomous future, drive discovery and amplify human potential. The Penguin Edge portfolio covers system on modules, single board computers and application-ready platforms that extend insight, intelligence, and analytical capabilities closer to where the data is generated - optimizing a range of use cases across industries and rugged environments.



Penguin Solutions is a trade name used by SMART Embedded Computing, Inc., a wholly owned subsidiary of SMART Global Holdings, Inc. Penguin Edge is a trademark owned by Penguin Computing, Inc., a wholly owned subsidiary of SMART Global Holdings, Inc. NXP is a trademark of NXP B.V. PowerPC is a trademark of IBM. All other logos, trade names, and trademarks are the property of their respective owners. Specifications are subject to change without notice. For full legal terms and conditions, please visit [www.penguinsolutions.com/edge/legal/](http://www.penguinsolutions.com/edge/legal/).

©2022 SMART Embedded Computing, Inc.