

KR8-315 Series Quick Start Guide

P/N:6806800N31C (September 2014)

1 What's in the box?

Make sure you receive all items of your shipment:

- One KR8-315 Series enclosure
- One power adapter
- One mounting adapter
- One cable mounting tie
- Screws
- One printed copy of *Quick Start Guide* (this document)
- One printed copy of *Safety Notes Summary*
- Any other optional item that you ordered



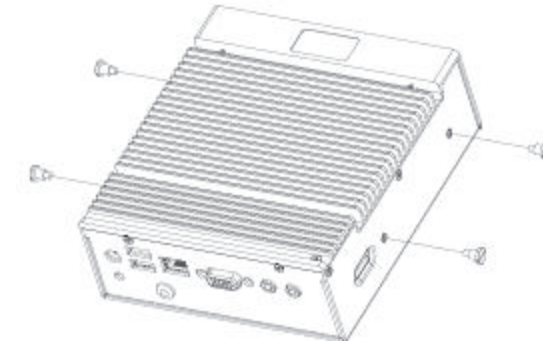
When installing or servicing the enclosure or accessories, strictly observe the safety precautions in the *Safety Notes Summary*. Otherwise, personal injury or property damage may occur.

2 Prepare the installation site

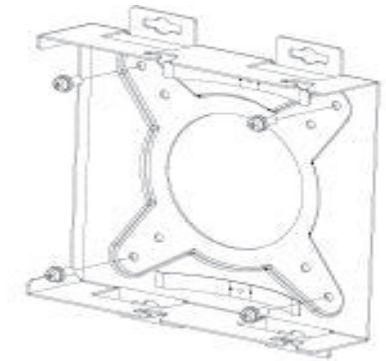
- The KR8-315 series has three variants KR8-315, KR8-315-ET and KR8-315E. For information on the environmental and power requirements of the three variants, see the *KR8-315 Series Installation and Use* manual.
- The KR8-315 Series must be in good condition, without defects such as oxidation, chemical corrosion, missing components, or transportation damage.
- Confirm the position where the KR8-315 Series will be installed.

3 VESA mounting

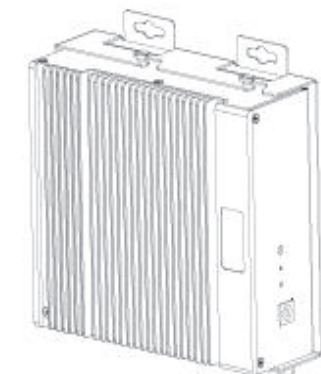
1. Fasten the 4pcs M3 shoulder screws to enclosure.



2. Install the mounting adapter to back of monitor, using the 4pcs M4x10mm screws.



3. Mount the enclosure to the adapter fastened on the monitor.

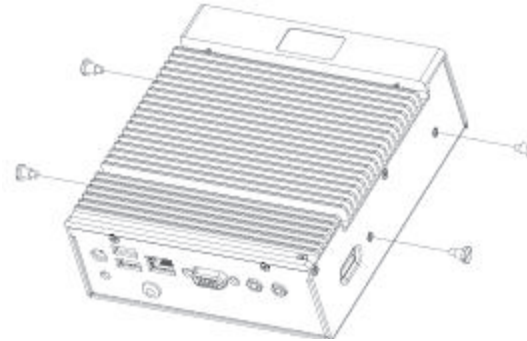


The above shown mounting direction is recommended for best efficiency of heat dissipation.

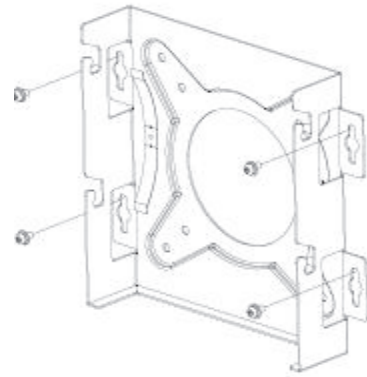


4 Wall mounting

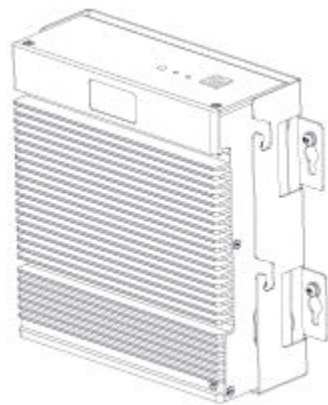
1. Fasten the 4pcs M3 shoulder screws to enclosure.



2. Install the mounting adapter to the wall, using the 4pcs M4x10mm screws.



3. Mount the enclosure to the adapter fastened on the wall.



Finding more information

For more information on the product, see the *KR8-315 Series Installation and Use* and other related documentation.

Go to www.artesyn.com/computing/support/product/technical-documentation.php for technical documentation.

Technical Assistance

To request technical assistance, visit our Web site <https://www.artesyn.com/>