

AXP-1411 Quick Start Guide

P/N: 6806800N21C October 2019

1 Box contents

Make sure you receive all items of your shipment:

- One AXP-1411
- One printed copy of Quick Start Guide (this document)
- One printed copy of Safety Notes Summary
- Any other optional items ordered



When installing or servicing the system or accessories, strictly observe the safety precautions in the *Safety Notes Summary*. Ignoring these instructions can void the system warranty and cause personal injury or property damage.

2 ESD

Use ESD protection



Electrostatic discharge and incorrect installation or removal of the card can damage circuit or shorten its life.

Use a properly grounded ESD wrist strap or make work in an ESD-safe environment.

Connect to the ESD connector at the front or the rear of the system.

3 Site preparation

Make sure that all environmental and power requirements defined in the *AXP-1411 Installation and Use* manual are met.

Operating temperatures refer to the temperature of the air circulating around the system and not to the actual component temperature.

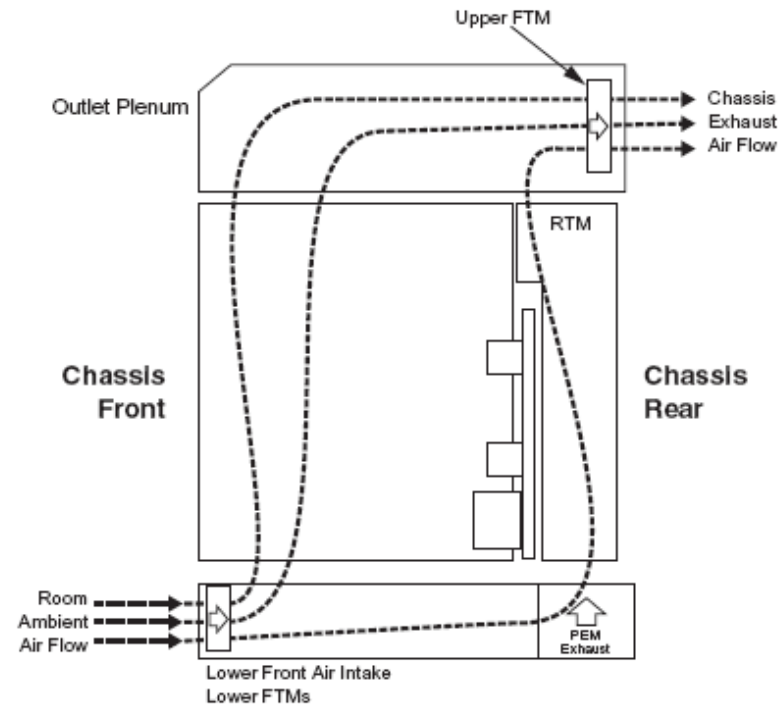


4 Install the AXP-1411

Note: Use power input cables with a cross section (minimum) of 21mm², AWG 4.

Installation in a 19" Rack

1. Insert the system into a standard 19" ANSI rack.
2. Fasten the system to the rack via the mounting brackets using eight bolts or screws (minimum 6 mm (0.24 inch) in diameter) on the left side and eight on the right side of the system.
3. Make sure that the system has been located in a place with room temperature for at least 24 hours before powering it up. You have to keep the following conditions when installing the system into at least 600 mm (23.62 inch) deep rack. The physical dimensions in the figure below are in millimeters. Ensure that 60% of the rack's rear is open.



Installation in a 23" EIA Rack/Cabinet

Note: Front mounting brackets are required to attach the shelf to an EIA 23" frame.

1. Locate the standard mounting hole and slot locations on the front mounting flanges on the AXP-1411 shelf.

2. Fasten the mounting brackets to the back side of the front chassis flanges using M6 screws x 12mm at each of the 5 locations.
3. Mount the shelf with metal screws or bolts that give a good electrical connection between the screws or bolts and the mounting surface.
4. Tighten all screws using a torque setting of 35.5 to 38.5 inch-pounds.

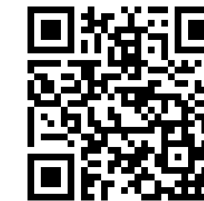
Installation in a 600mm ETSI Rack/Cabinet

1. Locate the standard mounting hole and slot locations on the front integrated mounting flanges on the AXP-1411 shelf.
2. Fasten the mounting brackets to the back side of the front chassis flanges using M6 screws x 12mm at each of the 5 locations.
3. Mount the shelf with metal screws or bolts that give a good electrical connection between the screws or bolts and the mounting surface.
4. Tighten all screws using a torque setting of 35.5 to 38.5 inch-pounds.

Technical Assistance

For technical assistance or to report product damage or shortages, contact your local SMART Embedded Computing sales representative or visit <https://www.smartembedded.com/ec/support/>

Get More Information



For more information on this product, see the *AXP-1411 Installation and Use* manual and other related technical documentation, which can be found by using the Documentation Search at <https://www.smartembedded.com/ec/support/>.



AXP-1411 Quick Start Guide

© 2019 SMART Embedded Computing™, Inc. All rights reserved. The stylized “S” and “SMART” is a registered trademark of SMART Modular Technologies, Inc. and “SMART Embedded Computing” and the SMART Embedded Computing logo are trademarks of SMART Modular Technologies, Inc. All other names and logos referred to are trade names, trademarks, or registered trademarks of their respective owners. These materials are provided by SMART Embedded Computing as a service to its customers and may be used for informational purposes only. For full legal terms and conditions, visit www.smartembedded.com/ec/legal.