



ACC/ATCA-7221/HDD/SATA

Installation Guide

6806800F05A

March 2008

© 2008 Emerson
All rights reserved.

Trademarks

Emerson, Business-Critical Continuity, Emerson Network Power and the Emerson Network Power logo are trademarks and service marks of Emerson Electric Co. © 2008 Emerson Electric Co. All other product or service names are the property of their respective owners.

Intel® is a trademark or registered trademark of Intel Corporation or its subsidiaries in the United States and other countries.

Java™ and all other Java-based marks are trademarks or registered trademarks of Sun Microsystems, Inc. in the U.S. and other countries.

Microsoft®, Windows® and Windows Me® are registered trademarks of Microsoft Corporation; and Windows XP™ is a trademark of Microsoft Corporation.

PICMG®, CompactPCI®, AdvancedTCA™ and the PICMG, CompactPCI and AdvancedTCA logos are registered trademarks of the PCI Industrial Computer Manufacturers Group.

UNIX® is a registered trademark of The Open Group in the United States and other countries.

Notice

While reasonable efforts have been made to assure the accuracy of this document, Emerson assumes no liability resulting from any omissions in this document, or from the use of the information obtained therein. Emerson reserves the right to revise this document and to make changes from time to time in the content hereof without obligation of Emerson to notify any person of such revision or changes.

Electronic versions of this material may be read online, downloaded for personal use, or referenced in another document as a URL to a Emerson website. The text itself may not be published commercially in print or electronic form, edited, translated, or otherwise altered without the permission of Emerson,

It is possible that this publication may contain reference to or information about Emerson products (machines and programs), programming, or services that are not available in your country. Such references or information must not be construed to mean that Emerson intends to announce such Emerson products, programming, or services in your country.

Limited and Restricted Rights Legend

If the documentation contained herein is supplied, directly or indirectly, to the U.S. Government, the following notice shall apply unless otherwise agreed to in writing by Emerson.

Use, duplication, or disclosure by the Government is subject to restrictions as set forth in subparagraph (b)(3) of the Rights in Technical Data clause at DFARS 252.227-7013 (Nov. 1995) and of the Rights in Noncommercial Computer Software and Documentation clause at DFARS 252.227-7014 (Jun. 1995).

Contact Address

Emerson Network Power - Embedded Computing GmbH
Lilienthalstr. 15
85579 Neubiberg-Munich/Germany

Contents

About this Manual	9
Safety Notes	13
Sicherheitshinweise	15
1 Introduction	17
1.1 Features	17
2 Installation	19
2.1 Requirements	19
2.2 Hard Disk Installation	19
2.3 Hard Disk Removal	21
A Related Documentation	23
A.1 Emerson Network Power - Embedded Computing Documents	23
Index	25

List of Tables

List of Figures

Figure 2-1	Location of RTM's SATA Connector	20
------------	--	----

About this Manual

Overview of Contents

This Installation Guide is intended for users qualified in electronics or electrical engineering. Users must have a working understanding of Peripheral Component Interconnect (PCI), AdvancedTCA (ATCA), and telecommunications.

Abbreviations

This document uses the following abbreviations:

Abbreviation	Definition
CPU	Central Processing Unit
EMC	Electromagnetic Compatibility
ESD	Electrostatic Sensitive Device
IDE	Integrated Device Electronics
PCI	Peripheral Component Interconnect
PMC	PCI Mezzanine Card
S.M.A.R.T.	Software Maintenance and Reference Tool
SATA	Serial ATA

Conventions

The following table describes the conventions used throughout this manual.

Notation	Description
0x00000000	Typical notation for hexadecimal numbers (digits are 0 through F), for example used for addresses and offsets
0b0000	Same for binary numbers (digits are 0 and 1)
bold	Used to emphasize a word
Screen	Used for on-screen output and code related elements or commands in body text
Courier + Bold	Used to characterize user input and to separate it from system output
<i>Reference</i>	Used for references and for table and figure descriptions
File > Exit	Notation for selecting a submenu

Comments and Suggestions

We welcome and appreciate your comments on our documentation. We want to know what you think about our manuals and how we can make them better.

Mail comments to us by filling out the following online form:

<http://www.emersonnetworkpowerembeddedcomputing.com/> > Contact Us > Online Form

In "Area of Interest" select "Technical Documentation". Be sure to include the title, part number, and revision of the manual and tell us how you used it.

Safety Notes

This section provides safety precautions to follow when installing, operating, and maintaining the product.

We intend to provide all necessary information to install and handle the product in this manual. However, as the product is complex and its usage manifold, we do not guarantee that the given information is complete. If you need additional information, ask your Emerson representative.

The product has been designed to meet the standard industrial safety requirements. It must not be used except in its specific area of office telecommunication industry and industrial control.

Only personnel trained by Emerson or persons qualified in electronics or electrical engineering are authorized to install, remove or maintain the product. The information given in this manual is meant to complete the knowledge of a specialist and must not be taken as replacement for qualified personnel.

Installation

Damage of Circuits

Electrostatic discharge and incorrect hard disk installation and removal can damage circuits or shorten their life.

Before touching the module or electronic components, make sure that you are working in an ESD-safe environment.

Replacement/Expansion

Only replace or expand components or system parts with those recommended by Emerson. Otherwise, you are fully responsible for the impact on EMC or any possible malfunction of the product.

Environment

Always dispose of used hard disks according to your country's legislation, if possible in an environmentally acceptable way.

Sicherheitshinweise

Dieser Abschnitt enthält Sicherheitshinweise, die bei Installation, Betrieb und Wartung des Produkts zu beachten sind.

Wir sind darauf bedacht, alle notwendigen Informationen, die für die Installation und den Betrieb erforderlich sind, in diesem Handbuch bereit zu stellen. Da es sich jedoch um ein komplexes Produkt mit vielfältigen Einsatzmöglichkeiten handelt, können wir die Vollständigkeit der im Handbuch enthaltenen Informationen nicht garantieren. Falls Sie weitere Informationen benötigen sollten, wenden Sie sich bitte an die für Sie zuständige Geschäftsstelle von Emerson.

Das Produkt erfüllt die für die Industrie geforderten Sicherheitsvorschriften und darf ausschließlich für Anwendungen in der Telekommunikationsindustrie und im Zusammenhang mit Industriesteuerungen verwendet werden.

Installation, Wartung und Betrieb dürfen nur von durch Emerson ausgebildetem oder im Bereich Elektronik oder Elektrotechnik qualifiziertem Personal durchgeführt werden. Die in diesem Handbuch enthaltenen Informationen dienen ausschließlich dazu, das Wissen von Fachpersonal zu ergänzen, können es aber in keinem Fall ersetzen.

Installation

Beschädigung von Schaltkreisen

Elektrostatische Entladung und unsachgemäßer Ein- und Ausbau der Festplatte kann Schaltkreise beschädigen oder ihre Lebensdauer verkürzen.

Bevor Sie die Festplatte oder elektronische Komponenten berühren, vergewissern Sie sich, daß Sie in einem ESD-geschützten Bereich arbeiten.

Austausch/Erweiterung

Verwenden Sie bei Austausch oder Erweiterung nur von Emerson empfohlene Komponenten und Systemteile. Andernfalls sind Sie für mögliche Auswirkungen auf EMV oder Fehlfunktionen des Produktes voll verantwortlich.

Umweltschutz

Entsorgen Sie alte Festplatten stets gemäß der in Ihrem Land gültigen Gesetzgebung, wenn möglich immer umweltfreundlich.

1.1 Features

The ACC/ATCA-7221/HDD/SATA is an accessory kit compiled for the ACC/ARTM-7221/FC blades. It provides a 2.5" SATA hard disk drive offering at least 40 GBytes additional storage capacity.

The ACC/ATCA-7221/HDD/SATA is compliant to DIRECTIVE 2002/95/EC (DIRECTIVE 2002/95/EC OF THE EUROPEAN PARLIAMENT AND OF THE COUNCIL of 27 January 2003).

The following components are delivered together with the accessory kit:

- 2.5" SATA hard-disk drive
- Hard disk holder
- Two M3 screws
- Two standoffs
- Four M2.5 screws
- This Installation Guide

2.1 Requirements

You must make sure that the environmental and power requirements given in the *ACC/ARTM-7221/FC Installation Guide* are met.

2.2 Hard Disk Installation

NOTICE

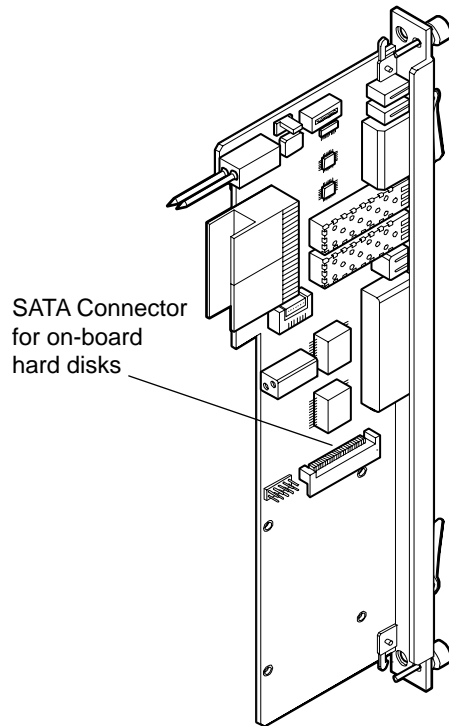
Damage of Circuits

Electrostatic discharge and incorrect board installation and removal can damage circuits or shorten their life.

Before touching boards or electronic components, make sure that you are working in an ESD-safe environment.

The hard disk is connected to the RTM's SATA connector shown in the following figure.

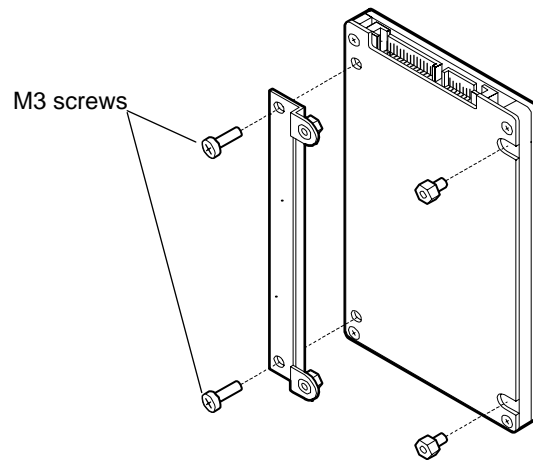
Figure 2-1 Location of RTM's SATA Connector



Detailed installation and removal instructions are given in the following.

Installing the Hard Disk

1. Prepare the hard disk by attaching the hard disk holder and the two standoffs to it as shown in the following figure



2. Position the prepared hard disk on the RTM such that the hard disk's interface connector and the on-board SATA connector face each other
3. Connect hard disk with on-board SATA connector
4. Turn the RTM around so the the RTMs bottom is facing you
5. Fasten the hard disk to the RTM using the four M2.5 screws

2.3 Hard Disk Removal

Removing Hard Disk

1. Place RTM on table with RTM's bottom side facing you
2. Remove four screws holding hard disk
3. Carefully remove hard disk from RTM's SATA connector
4. Store hard disk and screws in a safe place in case you want to use the accessory kit components again



A.1 Emerson Network Power - Embedded Computing Documents

The Emerson Network Power - Embedded Computing publications listed below are referenced in this manual. You can obtain electronic copies of Emerson Network Power - Embedded Computing publications by contacting your local Emerson sales office. For documentation of final released (GA) products, you can also visit the following website:

<http://www.emersonnetworkpowerembeddedcomputing.com> > Resource Center > Technical Documentation Search. This site provides the most up-to-date copies of Emerson Network Power - Embedded Computing product documentation.

Company/Org.	www.	Document
Emerson		PENT/ATCA-7221 Reference Guide
		ACC/ARTM-7221/FC Installation Guide

