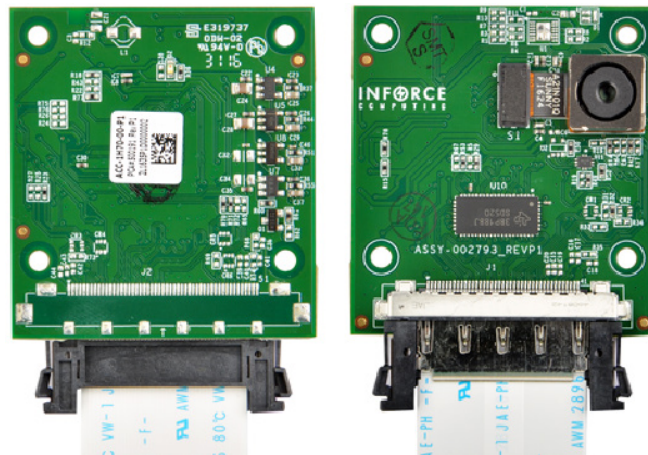


Penguin Edge[™] ACC-1H70

21 Megapixel Camera Adapter Board with 41-pin MIPI-CSI Connector

- ▶ Sony IMX230 back-illuminated and stacked-type CMOS image sensor with Exmor RS technology
- ▶ CSI-2 serial data o/p (2/4 lane configurable)
- ▶ Single Frame High Dynamic Range (HDR) with equivalent full pixels
- ▶ 10-bit A/D convertor on chip
- ▶ RGB primary color pigment mosaic filters on-chip
- ▶ Automatic optical black clamp circuit on chip
- ▶ High-sensitivity, low-dark current, no smear, excellent anti-blooming characteristics
- ▶ Variable-speed shutter function (external mechanical shutter also supported)
- ▶ Full resolution @ 24fps (Normal / HDR); 4K2K @ 30fps (Normal / HDR); 1080p @ 60fps (Normal / HDR)
- ▶ Dynamic Defect Pixel Correction
- ▶ Independent flipping and mirroring
- ▶ Power-ON reset function
- ▶ Built-in temperature sensor

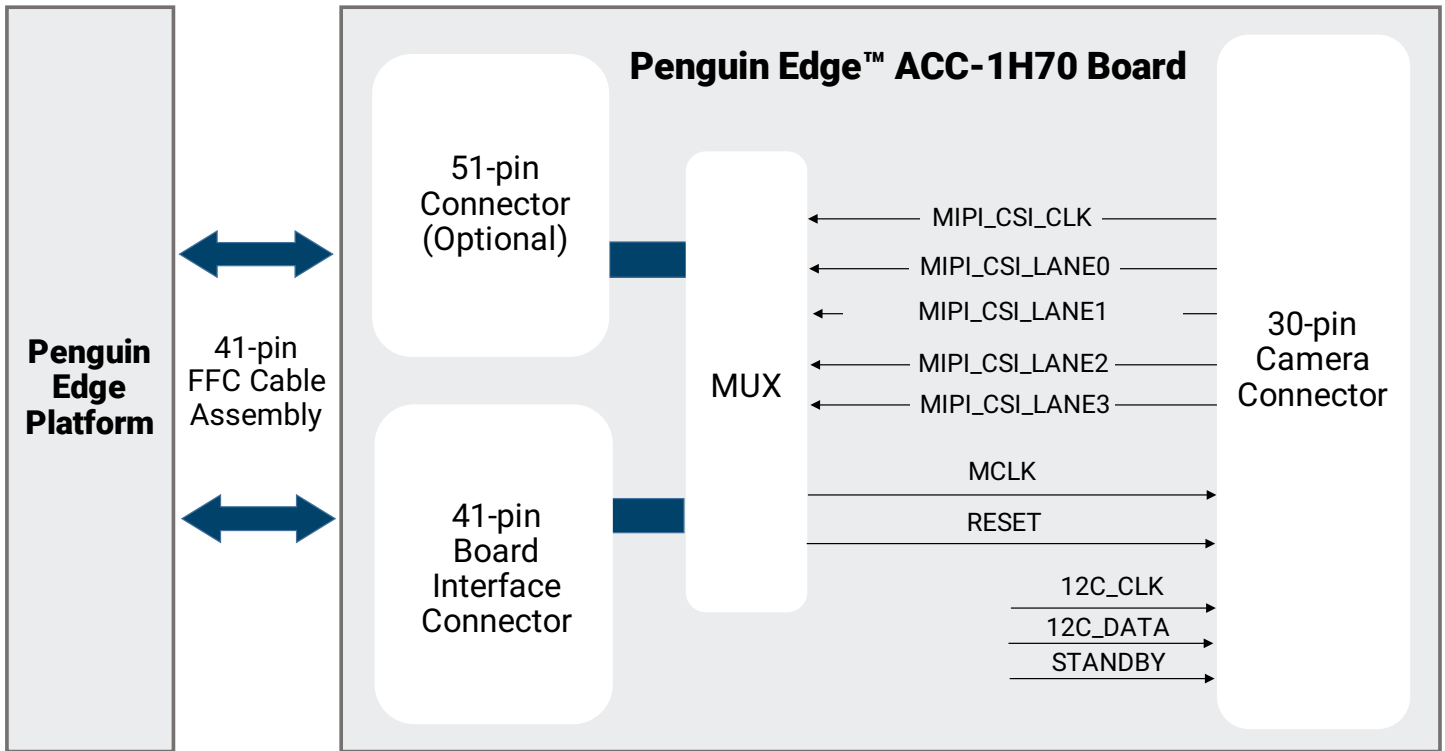
The Penguin Edge[™] ACC-1H70 camera module accessory has an on-board camera sensor from Sony (IMX230). It is a diagonal 21M pixel CMOS active pixel type stacked image sensor with a square pixel array. It adopts Exmor RS[™] technology to achieve high speed image capturing and by introducing spatially multiplexed exposure, HDR still pictures and movies are achieved. It operates with three power supply voltages and achieves low power consumption. It offers a readout rate of 24 frames per second at full resolution, 4k2k @ 30fps and 1080p @ 60fps in both normal and HDR modes.



- ▶ Single lane MIPI-CSI interface to preview and capture 4K video
- ▶ Programmable IO drive capability, IO tri-state configurability

Power, Mechanical, and Environmental

- ▶ Module dimensions
 - 43.97 x 40.6 x 1.6mm
 - 170 grams
- ▶ Operating voltages: Analog 2.5V, Digital 1.1V and 1.8V for input/output interface
- ▶ Operating temperature: 0° to 70°C
- ▶ Storage temperature: -20° to 80°C
- ▶ Relative humidity: 5 - 95% non-condensing



*41-pin MIPI-CSI cable included with accessory

Part Number	Description	Available
ACC-1H70-00-P2	Sony IMX230 Sensor Camera Adapter Card	Now

Contact Us

+1 602-438-5720

info@penguinsolutions.com

www.penguinsolutions.com/edge/

About Penguin Solutions

Penguin Solutions accelerates customers' digital transformation with the power of emerging technologies in HPC, AI, and IoT with solutions and services that span the continuum of edge, core, and cloud. The company designs highly advanced infrastructure, machines and networked systems that enable the world's most innovative enterprises and government institutions to build the autonomous future, drive discovery and amplify human potential. The Penguin Edge portfolio covers system on modules, single board computers and application-ready platforms that extend insight, intelligence, and analytical capabilities closer to where the data is generated - optimizing a range of use cases across industries and rugged environments.



Penguin Solutions is a trade name used by SMART Wireless Computing, Inc., a wholly owned subsidiary of SMART Global Holdings, Inc. Penguin Edge is a trademark owned by Penguin Computing, Inc., a wholly owned subsidiary of SMART Global Holdings, Inc. Qualcomm is a trademark of Qualcomm Incorporated, registered in the United States and other countries. All other logos, trade names, and trademarks are the property of their respective owners. Specifications are subject to change without notice. For full legal terms and conditions, please visit www.penguinsolutions.com/edge/legal/.

©2022 SMART Wireless Computing, Inc.